

Adam, Rouilly

SERVING MEDICAL EDUCATION WORLDWIDE

AR351 NERVE BLOCK/PAIN RELIEF MANIKIN

Instruction Manual



Thank you for purchasing this **AR351 Nerve Block/Pain Relief Manikin**.

The Regional Anaesthesia Simulation Manikin has been designed by a **Consultant Anaesthetist** at the **Manchester and Salford Pain Centre** for training anaesthetists in correct needle placement in Nerve Blocks for pain management.

The manikin has now been improved to include a flesh coloured fabric covered torso.

Please read this instruction manual carefully and retain it for future reference.

Skills

- Knowledge of surface anatomy applied to the individual nerve blocks
- Orientation of image and identification of appropriate radiographic landmarks
- Identification point of needle insertion and angle of direction
- Recognition of contact with deep bony structures
- Principle of withdrawing and directing needle to alter the angle
- The end point of simulation is the correct radiographic appearance
- Accurate needle placement is required to guarantee the efficacy of many diagnostic pain clinic blocks and is mandatory when neurolytic solutions are used. Radiological screening to confirm needle placement should be routine and training for this needs to be practical
- Attempts at regional anaesthesia by trainees who are not familiar with the techniques may result in uncomfortable and prolonged procedures for patients

Features

- The manikin consists of a specially coated plastic human skeleton, head covered in artificial skin and flesh coloured fabric covered torso, on which trainees can practice the placement of needles under X-ray image intensifier control
- The X-ray density of the manikin is low so that the doses of radiation used during simulated procedures are reduced

Safety and Precautions



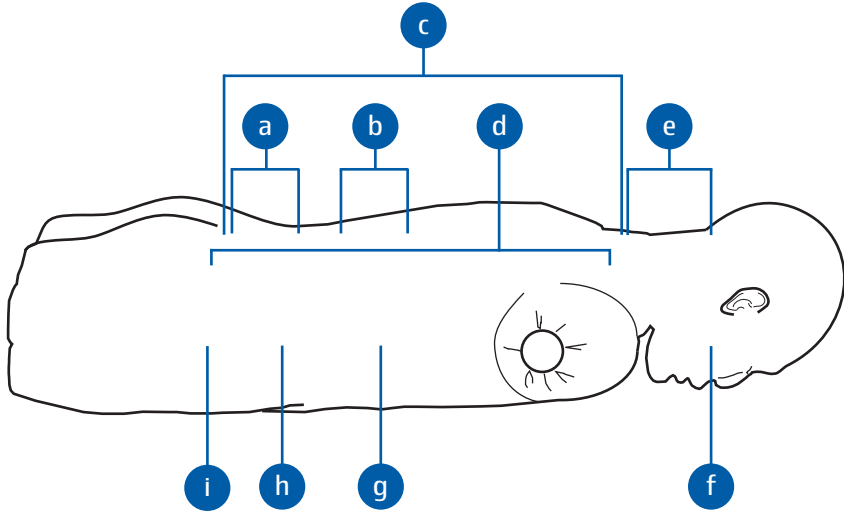
Please treat the simulator with the same care you would a patient.



Scan the QR code to access the product video.
<https://youtu.be/txt-YqYI7eo>



Range of Simulation



For illustrative purposes only

The following blocks can be taught and assessed using this manikin:

- a** Lumbar sympathetic block
- b** Splanchnic nerve block
- c** Epidural injections at all spinal levels
- d** Cervical, Thoracic and Lumbar facet joint injection and radio frequency denervation of posterior primary ramus
- e** Cervical facet joint injection
- f** Trigeminal ganglion block or radio frequency needle placement
- g** Coeliac nerve block
- h** Superior hypogastric nerve block
- i** Sacroiliac joint injection

Supplied With

Carry Case



If you require replacement parts please contact our Sales Department.

2 Year Guarantee



All products manufactured by Adam,Rouilly are covered by our full 2 Year Guarantee. This guarantee applies to models which have been used correctly and covers durability and functionality.

Adam,Rouilly

As part of our policy of continual product development, the specification of products may alter without prior notice.

Adam,Rouilly has over 100 year's experience in providing quality medical models and simulators.

Should you require any further information please contact our Sales Department who will be pleased to help with your enquiry.

Adam,Rouilly Limited
Castle Road
Eurolink Business Park
Sittingbourne
Kent
United Kingdom
ME10 3AG

T: +44(0)1795 471378
F: +44(0)1795 479787
E: sales@adam-rouilly.co.uk
www.adam-rouilly.co.uk